



scan for  
product details



**Self supporting liquid containment, heavy duty, chemical & fuel resistant.**

Onion tanks (also referred to as flexi tanks, collar tanks, collar dams or onion bladder tanks) are a self supporting, easily relocatable liquid storage tank made from a variety of fabrics like reinforced PVC. They are distinctive by the central foam filled collar, that will rise as the tank is filled. The unique design of the onion tank means that they have a very quick setup time (typically 1 or 2 people can have a unit ready to go in about 5 or 10 mins).

## FEATURES

- Self-supporting (No frame or assembly parts)
- Easily transportable to remote locations
- Highly stable
- Easy to clean and low maintenance
- Suitable for long term and short term storage
- Can be manufactured from a number of materials
- Removable top covers available (optional) to make sealed units
- Tanks are supplied with a ground sheet/carry bag for convenient storage and packaging
- Designed for rapid deployment
- Compact, for easy storage
- Heavy-duty construction
- Fixtures, pipes, sumps etc can be accommodated
- Resistant to wide range of chemicals

## APPLICATIONS

- Drinking water (emergency aid)
- Fire-fighting water
- Contaminated waste
- Spill Containment where fast deployment and fast filling are critical
- Remote water supply for mining applications such as drilling and exploration
- or anywhere you need fast, temporary liquid storage
- Fuels
- Rainwater harvesting
- Chemical storage

**Free Call: 1800 039 996**

Email: [info@fabricsolutions.com.au](mailto:info@fabricsolutions.com.au)

Website: [www.fabricsolutions.com.au/onion-tanks/](http://www.fabricsolutions.com.au/onion-tanks/)

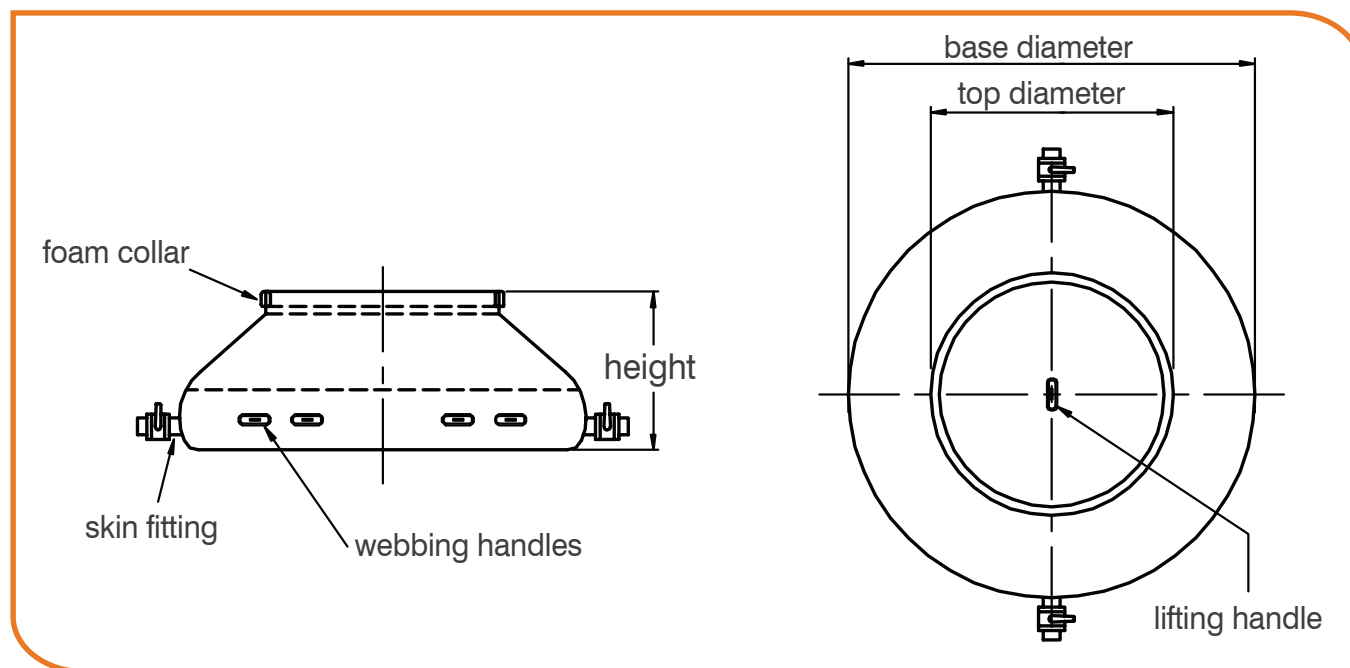
We have a range of standard Onion tanks sizes to suit most applications.

## STANDARD ONION TANK SIZES

MODEL	Volume (litres)	Base Diameter	Top Diameter	Height of Top Wall	Height of Bottom Wall	Overall Height
FSFT010	1,000	1650	800	450	200	650
FSFT012	1,200	1700	800	550	250	800
FSFT050	5,000	2900	1600	600	400	1000
FSFT075	7,500	3300	1800	780	400	1180
FSFT076	7,600	3300	1800	800	400	1200
FSFT100	10,000	3750	2400	750	400	1150
FSFT110	11,000	3980	2200	790	400	1190
FSFT120	12,000	4000	2200	900	400	1300
FSFT180	18,000	4980	3300	750	400	1150
FSFT220	22,000	5600	3200	800	400	1200
FSFT250	25,000	5980	3500	800	400	1200

all measurements are in millimetres, other sizes available upon application

## TYPICAL ONION TANK LAYOUT



Free Call: **1800 039 996**

Email: [info@fabricsolutions.com.au](mailto:info@fabricsolutions.com.au)

Website: [www.fabricsolutions.com.au/onion-tanks/](http://www.fabricsolutions.com.au/onion-tanks/)