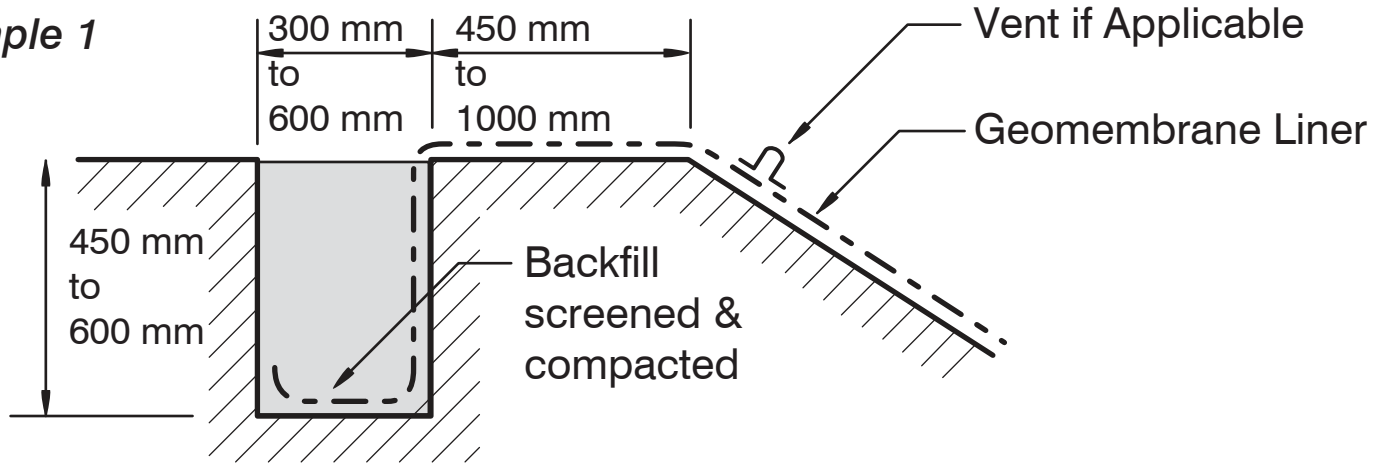
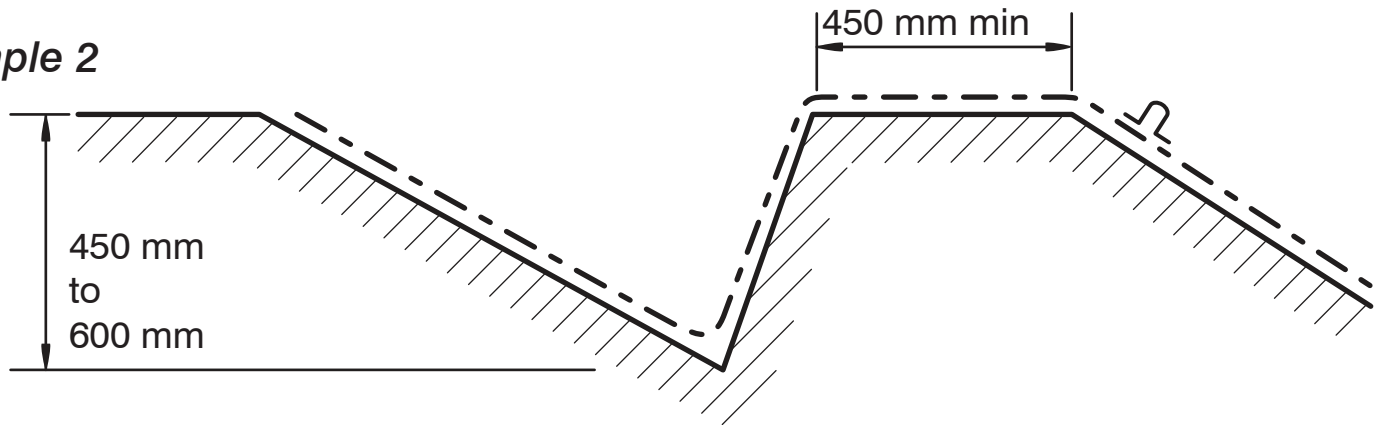


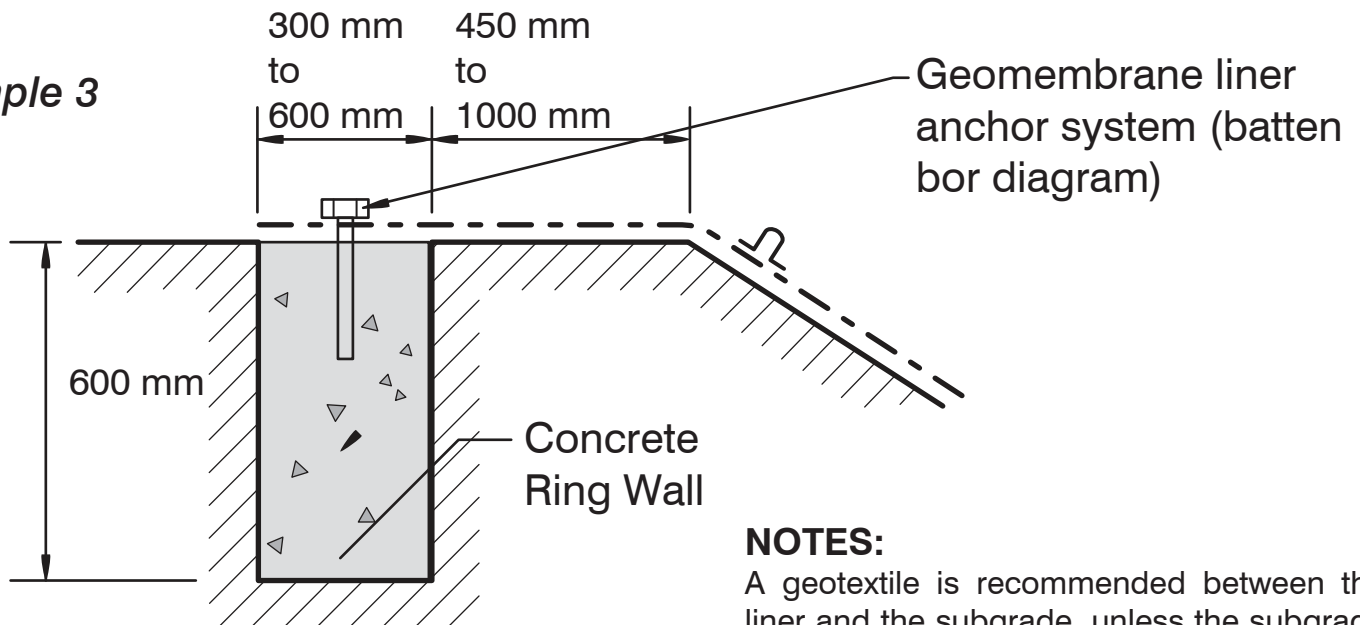
Example 1



Example 2



Example 3



NOTES:

A geotextile is recommended between the liner and the subgrade, unless the subgrade is very well prepared.

Disclaimer Notice

Fabric Solutions Australia does not practice engineering. The provision of any detailed specifications is merely issued for informational purposes and does not represent nor should it be construed to represent a warranty representation or a promise by the company that the details provided are appropriate for any particular installation. What is appropriate for any particular installation must be decided by the engineer involved in the project.