



Protect Drums from Contamination or Work Areas from Drum Leaks

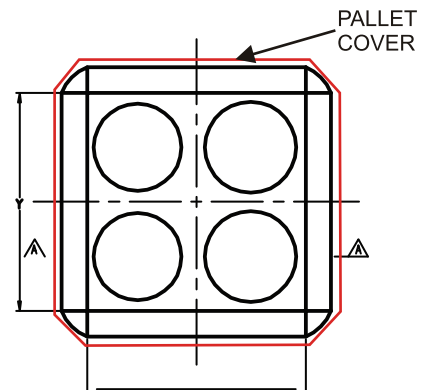
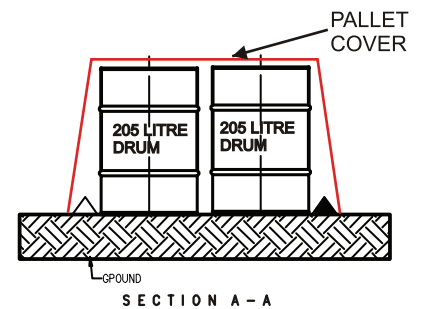
Fabric Solutions new drum covers are manufactured from heavy duty 900 GSM, UV stable fabrics to help protect drums from an unforgiving environment.

FEATURES

- Suitable for long term outside use
- UV stable polymer coated fabric
- Covers can be easily stowed when not in use
- Covers come with tie downs for extra stability
- When used with a bunded pallet, storm water will be encouraged to run off, reducing the risk of a leaky drum contamination by rain water.

APPLICATIONS

- Cover drums for outside storage
- Stops rainwater pooling and corroding drum top
- Used with a portable bund, prevent pinhole leaks causing contamination from the environment
- Suitable for all common drum types



Free Call: 1800 039 996

Email: info@fabricsolutions.com.au

Website: www.fabricsolutions.com.au/onion-tanks/