

HEAVY DUTY DRUM PROTECTION COVERS PRODUCT RANGE

ALL WEATHER DRUM COVERS

Fabric Solutions new drum covers are manufactured from heavy duty 900 GSM UV stable fabrics to help protect drums from an unforgiving environment.



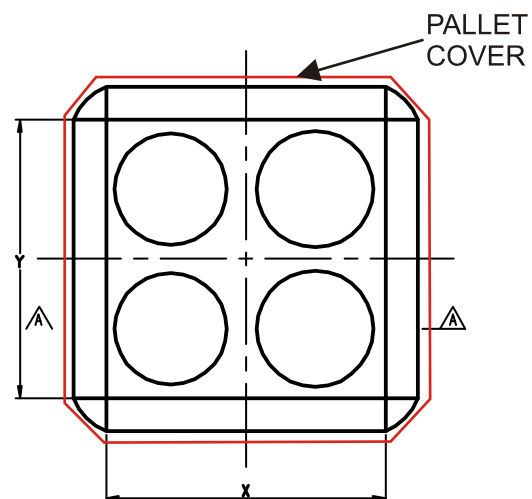
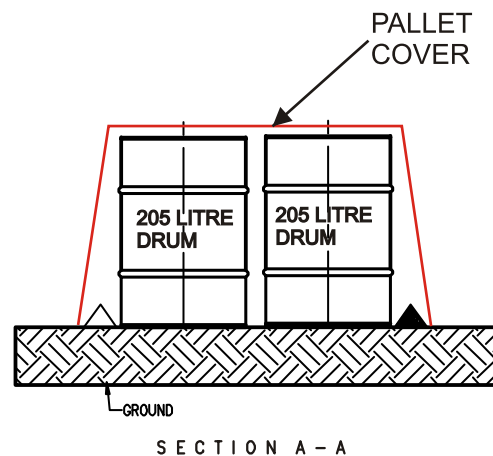
Features:

When used with a bunded pallet, storm water will be encouraged to run off, reducing the risk of a leaky drum contaminating rain water.

UV stable polymer coated fabric. Covers can be easily stowed when not in use.

Covers come with tie downs for extra stability during high winds.

Suitable for long outside use.



MODEL	SIZE(m)
DC-1D	0.6 X 0.6 X 0.6
DC-2D	0.6X 1.2 X 1.2
DC-4D	1.2X 1.2 X 1.2